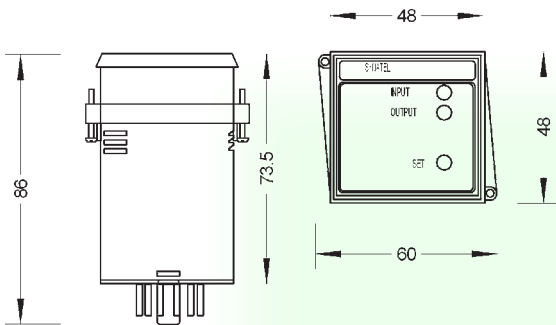


MODUSLIP UNDERSPEED RMR48/T

An underspeed module in a 48mm DIN standard enclosure, can also be used for overspeed detection. Single pushbutton calibration for set running speed and start up delay.



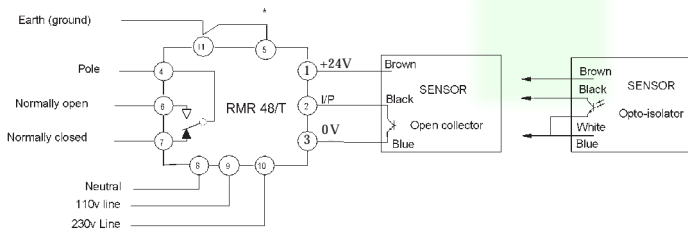
Dimensions



SPECIFICATION - GENERAL

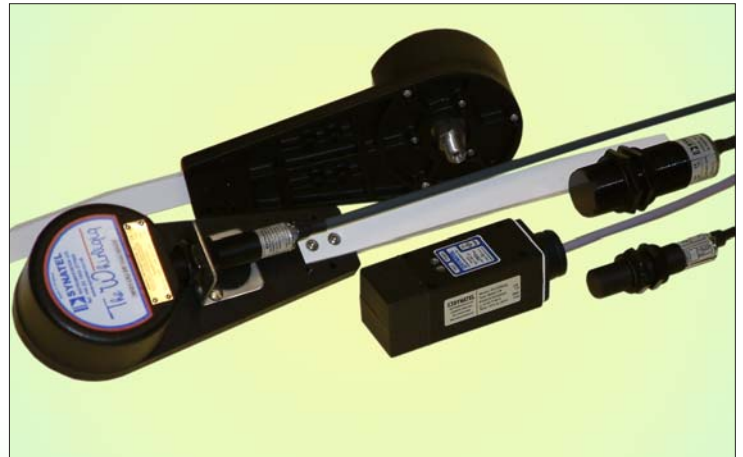
Supply	110/230V ac 50/60Hz.
Operating Temp	-10°C to +50°C.
Operating Speed	1-10,000 PPM.
I.P. Rating	IP40.
Operating Distance	Dependant upon sensor used.
Output	S.P.C.O Relay. 5A 240V ac maximum.
Output State	Output energised @ set running speed, de-energises if rotation falls 20% or more below set speed.
Calibration	Start-up delay and set running speed user programmable via pushbutton.
Start-Up Delay	Programmable start-up delay. Output energises for time period irrespective of incoming pulse signal, allows machinery to achieve running speed. Max. 30 seconds.
Indication	LED indication of input pulses and output energised.
Input Device	npn transistor or contact input. Any Synatel dc inductive proximity sensor is suitable.
Weight	210g.

Connections



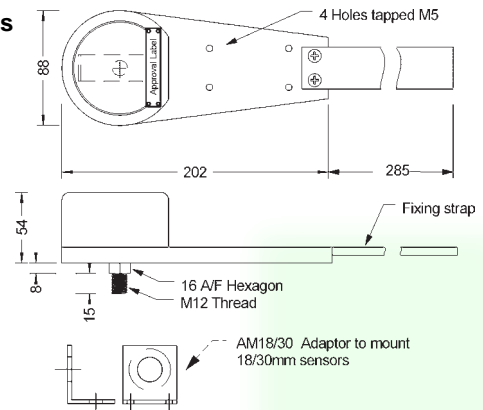
WHIRLIGIG SPEED MONITORING ATTACHMENT

A low cost, fully contained speed monitoring attachment, allowing easy fitting of all Synatel 18/30mm and DIN standard limit switch style proximity sensors/ speed monitors. Simple M12 fixing. Targets are fully enclosed and require no further guarding. ATEX approved.



Whirligig ATEX category: Ⓜ II 1GD c (Zone 0/20).

Dimensions



SPECIFICATION - GENERAL

Fixing	M12 x 1.75mm pitch stainless steel stud.
Mechanical Fitting	Reinforced flexible strap. Attach to static part of installation.
Bearing	Single deep groove stainless steel ball race. Sealed for life.
Body Material	Moulded Co-polymer.
Other Parts	Stainless Steel.
Maximum Speed	500 RPM.
Targets	2 pulses per revolution, (PPR) as standard. 1, 4 or 8 pulses available as an option.
Weight	410g.

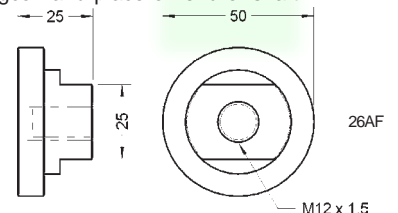
Also Available

Ideal for use in existing installations where it may not be possible to drill shaft end, or for temporary speed monitoring applications.

Weight: 280g.

MAGCON

Rare earth magnetic WG1 fixing. No drilling required. Simply screw the WG1 unit onto the magcon and place on end of shaft.



SYNATEL
INSTRUMENTATION LTD.



Walsall Road, Norton Canes, Cannock,
Staffordshire. WS11 9TB UK

Tel: +44 (0) 1543 277003
Fax: +44 (0) 1543 271217

Web: www.synatel.co.uk
e-mail: sales@synatel.co.uk

